



SEQUENZE
height 1735 mm, lenght 500 mm. Ivory finish (cod. 02).
Designed by Angeletti & Ruzza

**Technical features:**

- radiating panel
- 1/2" Gas right threading
- maximum working pressure 4 bar
- maximum working temperature 95°C

Price included:

- innovative water connection system installed on the product complete with fittings for connection to copper pipes (12, 14 and 15 mm diameter) and multilayer pipes (14 x 2 thick and 16 x 2 thick)
- wall fixing system built into the product column
- air vent

Finishes available**Surcharge**

Standard White

Classic finished

Special finished

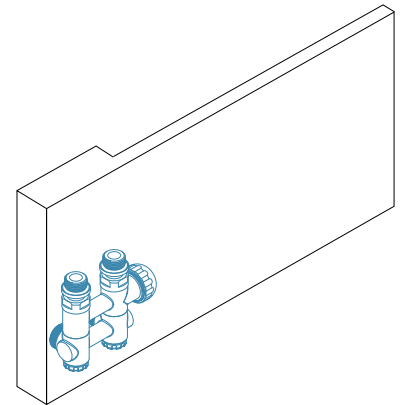
Other RAL colors

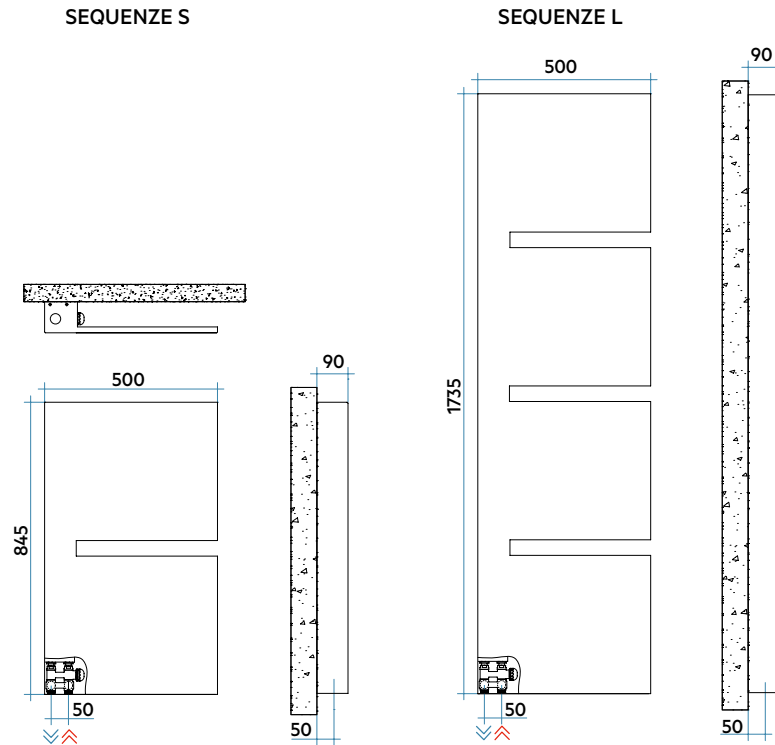
Finishing codes see page 596.**Concealed hydraulic connection INCLUDED IN THE PRICE**

SEQUENZE features the innovative hidden hydraulic connection system.

This type of connection hides all valves from view to the advantage of the heating element's formal aspect. Another winning feature of this type of hydraulic connection is its easy installation permitted by its 50 mm connection center valve unit pre-assembled and tested directly by IRSAP.

As may be seen from the photo at the right, the hidden hydraulic connection system is already fitted for the installation of a thermostat valve (optional).





Model	Code	Depth mm	Height mm	Width mm	Conn. C. mm	Weight Kg	Cap. lt	Thermal Power				Exp. n.	
								$\Delta t=50^{\circ}\text{C}$ Btu/h	$\Delta t=50^{\circ}\text{C}$ Watt	$\Delta t=40^{\circ}\text{C}$ Watt	$\Delta t=30^{\circ}\text{C}$ Watt (*)		$\Delta t=20^{\circ}\text{C}$ Watt
SEQUENZE S	SQZS050B XX IR ANN	90	845	500	50	16,2	0,8	1.317	386	294	206	126	1,225
SEQUENZE L	SQZE050B XX IR ANN	90	1735	500	50	32,2	1,7	2.518	738	560	392	238	1,236

(*) Thanks to the high performance of Irsap SEQUENZE radiators, the ideal Δt for low temperature projects is Δt at 30°C .
 For Δt different from 50°C use the formula: $Q=Q_n (\Delta t / 50)^n$

Key Codes

